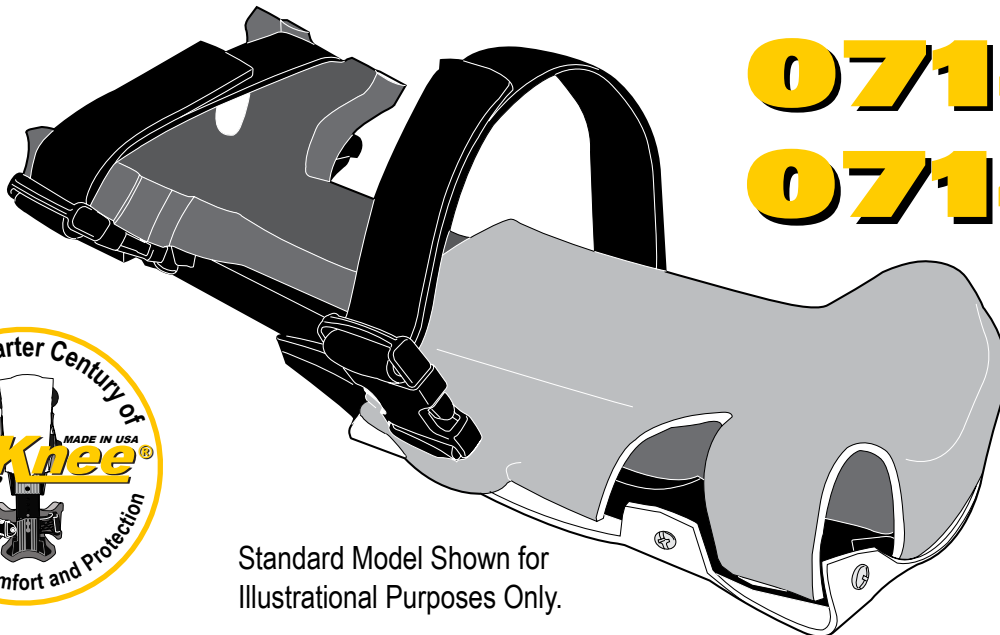


Pro Knee® Custom Made Custom Fit Kneepads



0714® 0714E®



Standard Model Shown for Illustrational Purposes Only.

Spec Sheet - Models 0714® and 0714E®

Both Model 0714 and 0714E offer the same configurations in the following:

- 1) Frame style has full weight distribution.
- 2) 18 frame lengths.
- 3) 18 one-piece, size specific, Urethane Foam Inserts in a 5/8" thickness.
- 4) 18 one-piece, size specific, Urethane Foam Inserts in a 1" thickness.
- 5) Top strap located approximately 4" below knee joint.
- 6) 9" Anti-Twist Cuff built into the 5/8" and 1" Foam Inserts.
- 7) 3-ply white polyacrylonitrile 3/16" thick Rubber Boot covers frame where contact with flooring is made.
- 8) No Wrinkle Liners are a moisture wicking 3/16" thick and are offered in standard and wide sizes that fit all insert lengths.
- 9) Quick Release Buckles in 1 1/2" wide injected plastic resin.
- 10) Elastic straps in 1 1/2" wide poly woven yarn with 3/4" wide by 10" long Hook 'n Loop sewn on (for length lock) Available in 6 lengths from Extra Short to Special Order Extra Long.
- 11) Main frame components are molded from fiberglass reinforced plastic resin.
- 12) Modular Strap Mount is pre-curved, flexible, tear resistant plastic resin.
- 13) Boot Plate frame component thickness is 1/8".
- 14) Knee Seat toe spring angle is 10 1/2°.

Knee Seat frame width recommendations:

- 1) Model 0714 leg circumference (C measurement) range is 9" to 17".
- 2) Model 0714E leg circumference (C measurement) range is 17 1/2" and up.

Calculations of weight for 1 kneepad leg fully assembled in your AB size:

- 1) Model 0714 size AB 17.0, with 5/8" thick Foam Insert, is approximately 2.43 lbs.
(add approximately 1/2 ounce for every additional 1/2" length)
- 2) Model 0714 size AB 17.0, with 1" thick Foam Insert, is approximately 2.59 lbs.
(add approximately 1/2 ounce for every additional 1/2" length)
- 3) Model 0714E size 17.0, with 5/8" thick Foam Insert, is approximately 2.52 lbs.
(add approximately 1/2 ounce for every additional 1/2" length)
- 4) Model 0714E size 17.0, with 1" thick Foam Insert, is approximately 2.75 lbs.
(add approximately 1/2 ounce for every additional 1/2" length)

Foam Insert thickness weight range recommendations for optimum performance:

We highly recommend 1" thickness regardless of weight range for any user wearing ProKnee® Kneepads over 8 hours per day and/or who has had knee problems or surgery.

5/8" thickness —
120 lbs. to 160 lbs. = good comfort / protection.

1" thickness —
160 lbs. to 200 lbs. = maximum comfort / protection.

1" thickness —
200 lbs. and up = "highly recommended" for maximum comfort / protection.